

MIFARE Panel Mount DESfire Reader

TDSi is pleased to offer this high quality panel mount reader, compatible with industry standard 40 x 40mm panel cut outs.

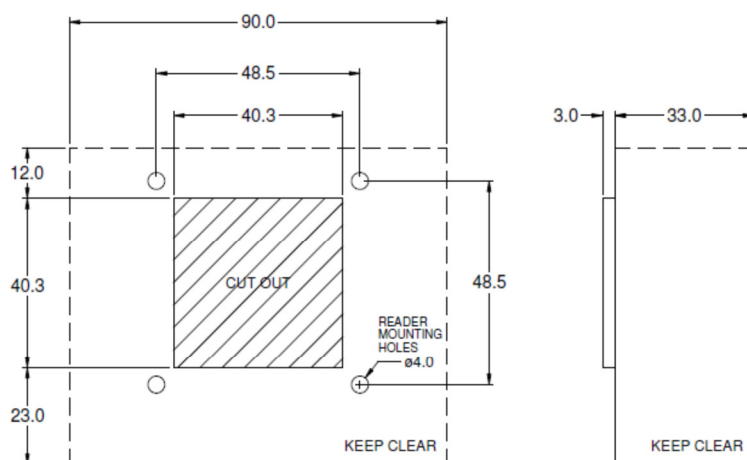
Specification

Part No.	5002-0638
Dimensions	107 x 71 x 27mm
Weight	60g
Operating Environment	-20°C to +55°C, 0 to 95% RH (non-condensing)
Power Supply	7 to 14Vdc, 200mA (Max)
Card Technology	ISO 14443-A; MIFARE DESfire, MIFARE Plus SL3, SL1, Classic
Sounder	Integral
LED	Integral
Read Range*	<30mm
Output Formats	Magnetic Stripe, Wiegand 26-bit**/34-bit/37-bit

* Figures may vary between cards and installations.

**Factory default, contact TDSi for alternative configurations.

Installation



Features and Benefits

Compatible with ISO 14443-A standard for 13.56MHz Smart Cards.

Integral LED, providing clear visual indication of access status.

In-built sounder, giving unambiguous feedback of card reads.

Selectable output formats, allowing connection to most access control systems.

Ordering Information

Part Number: 5002-0638

Description: TDSi MIFARE Panel Mount DESfire Reader

DS0178, issue 1