

Introduction

The PANELgarde is a versatile proximity reader for door entry panels with a square or circular cut-out offering a wide range of output formats. The fully-encapsulated design provides protection against water ingress.

PANELgarde is compatible with all standard control panels.

For technical assistance, contact TDSi Support.



PANELgarde

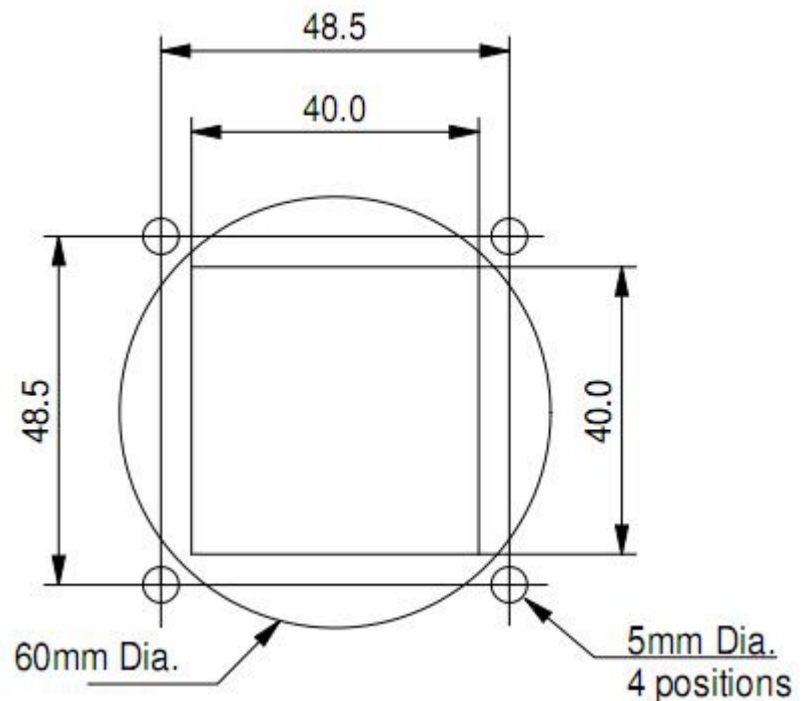
5002-0430

Quick Start Guide

Mounting

The reader is designed to fit onto a standard door entry panel with square or round cut-outs to give a neat integrated solution.

1. Fit the relevant label according to the cut-out that you are using.
2. Connect all wires to the connection block on the reader (see over page).
3. Fit the reader onto the rear surface of the door entry panel and secure using the relevant fixings (not supplied).



Connection

The PANELgarde has a terminal block plug allowing you to prewire the connection. It supports all standard access control standards including TDSi's MICROgarde, Excel, EXpert and EXpander control panels. Although any 6 core screened cable could be used TDSi recommend 7/0.2 screened e.g. Beldon 9730 (max. cable length 150m when used with MICROgarde I and MICROgarde II, EXcel, EXpert, EXpander Controllers).

Reader Terminal Pin	Function	MICROgarde		EXcel ² , EXpert ² , EXpander ²		EXcel ⁴				Non-TDSi Controllers	
		1/3	2/4	1	2	1	2	3	4	Mag strip	Wiegand
1	+12V DC	26	26	30	30	17	28	28	44	+9 to 16V DC 75mA Max	
2*	0V	27	27	29	43	18	29	29	45	0v	
3	Mag DATA	23	28	24	38	14	25	30	41	Mag data	Data 0
4	Mag CLK	24	29	25	39	15	26	31	42	Mag clock	Data 1
5										Card present	Hold
6										Green LED on when connected to 0v	
7	Red LED	25	30	27	41	16	27	32	43	Red LED on when connected to 0v	
8										Buzzer on when connected to 0V	

*** IMPORTANT:** The cable screen MUST be connected to ground at one end of the cable only, preferably at the Controller end, with the controller connected to a good ground. If the reader is fitted onto metal such as a metal pillar then screen or ground the reader only at the reader end and not at the Controller.

Reader Rear Dip Switch Settings

SW 1	SW 2	Function or connection to TDSi controllers
OFF	OFF	Expert, Excel, Expander Controllers and Reader 1 & 2 only of MICROgarde
OFF	ON	Reader 3 & 4 of MICROgarde only
ON	OFF	Mag-Stripe (Normal) – non TDSi Controller
ON	ON	Wiegand 26-bit

Specifications

Temperature range	-10°C to +55°C
Humidity range	5-95% non-condensing
Dimensions	73 x 73 x 12 mm
Power	10 - 14V DC 150mA Max
Read Range (cards)	< 80 mm with ISO card < 30 mm with Fob
Operating Frequency	125 KHz (nominal)
Interface	Mag-stripe (Clock & Data) Track 2 ABA
	Wiegand 26-bit