

PANELgarde Proximity Reader

PANELgarde is a versatile reader for door entry panels with a square and/or circular profile to offer flexibility on site.

Fully encapsulated, PANELgarde is designed to suit harsh environments such as high humidity / condensation and extreme temperatures that can be experienced inside a door entry panel.

Features & Benefits

125 KHz EM4102 technology

A standard card format allows for versatile use.

Panel Mounting Holes

Create a neatly integrated solution using a panel mount option.

Simple Installation

Minimises installation time and cost.

Fully Encapsulated Design

Suitable for mounting both indoors and out, the design provides maximum protection against water ingress.

Wide Range of Output Formats

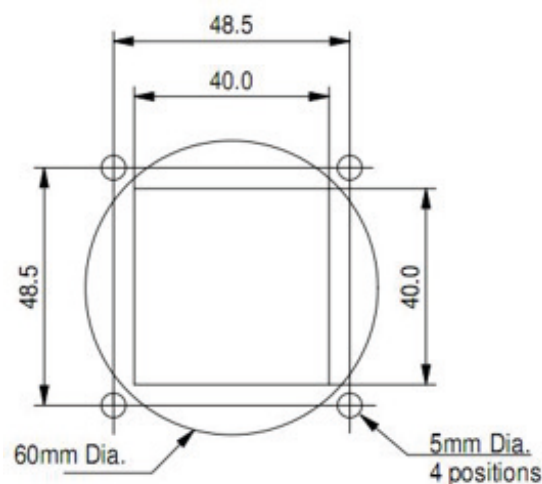
Compatible with all standard access control panels, it can also be used in other applications.

Integral LEDs and Sounder

Gives the user unambiguous audible and visual indication of card reads and access status, maximising user confidence.



Dimensions



Ordering Information

Part No. 5002-0430

Description: PANELgarde Proximity Reader

Specification

TDSi Part No.	5002-0430
Dimensions	73 x 73 x 12mm
Weight	90g
Operating Environment	-10°C to +50°C, 0 to 95 %RH (non-condensing)
Power Supply	10 to 14 VDC, 150 mA max
Operating Frequency	125 kHz (nominal)
Card Technology	EM4102 compatible
Sounder	Integral
LEDs	1 Bi-colour (red/green) with independent external control
Reader Range	<80mm with ISO card / <30mm with tag
Output Formats	Mag stripe, 26-bit Wiegand
Fixing	48.5mm centers

DS0012 - Issue 4