

# Proximity Square Readers 5002-0602

Stylish and fully featured Proximity card readers from TDSi.

A stylish and full featured range of square readers from TDSi featuring combinations of Proximity technologies.

TDSi is pleased to offer high quality square readers in robust polycarbonate housings with excellent read range.



## Features and Benefits.

### Fully encapsulated design

Provides maximum protection against water ingress making it suitable for mounting both indoor and out.

### Integral LEDs

Provides clear visual indication of access status.

### In-built sounder

Gives unambiguous feedback of card reads.

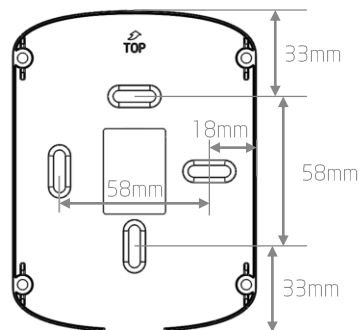
### Choice of output options

Allows connection to the majority of access control systems.

### Multiple mounting options

Allows the reader to be mounted on a single gang electrical box or directly to a non metallic surface

## Dimensions



Part No.	5002-0602
Dimensions	101 x 130 x 17 mm
Weight	300g
Operating Environment	-20°C to +55°C, 0 to 95% RH (non-condensing)
Power Supply	7 to 14 VDC, 100mA (max)
Operating frequency	125KHz (nominal)
Card technology	EM4100, EM4102, EM4200 or compatible
Sounder	Integral
LED's	RGB
Read range*	<100 mm (ISO card)
Output formats	Magnetic stripe, Wiegand 26-bit* / 34-bit / 37-bit

\*Figures may vary between cards and installation

\*\*As standard. Contact TDSi for alternative configurations

## Ordering Information

Part Number: 5002-0602

Description: Proximity Square Reader