



# PANELgarde

PANELgarde from TDSi is a versatile reader for door entry panels with a square or circular cut-out offering a wide range of output formats.

Fully encapsulated, PANELgarde is suited for the harsh environments such as high RH / condensation and extremes of temperature that can be experienced inside a door entry panel. Positive audible and visible indication is provided by an integral sounder and bi-coloured LED, which is controllable externally.



## Features and Benefits.

**Uses 125 KHz EM4102 technology**  
Uses standard cards—no tie-in to any particular manufacturer.

**Panel mounting holes**  
Mounts in standard door entry panels with square or round cut-outs to give a neat integrated solution.

**Simple to install**  
Minimises installation time and cost.

**Fully encapsulated design for maximum liquid and dust ingress protection**  
Waterproof design allows reader to be mounted both inside and out.

**Wide range of output formats including clock and data, Wiegand**  
Compatible with all standard access control panels. Can also be used in other applications.

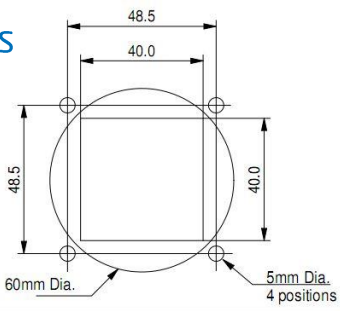
**Integral sounder and bi-coloured LED with external control**  
Unambiguous audible and visual indication of card reads and access status. Maximises user confidence.

## Specification

Part No.	5002-0430
Dimensions	73 x 73 x 12mm
Weight	90g
Operating Environment	-10°C to +50°C, 0 to 95% RH (non-condensing)
Power Supply	10 to 14 VDC, 150mA (max)
Operating frequency	125KHz (nominal)
Card technology	EM4102 Compatible
Sounder	Integral
LED's	1 Bi-colour (red/green) with independent external control
Read range*	<80mm with ISO card / <30mm with tag
Output formats	Magnetic stripe, Wiegand 26-bit**
Fixings	48.5mm centers

\*Read ranges provided are dependent on installation and operational environment.

## Dimensions



## Ordering Information

Part Number: 5002-0430  
Description: Panel mount reader

Part Number: 4262-0245  
Description: EM4100 ISO Proximity Card